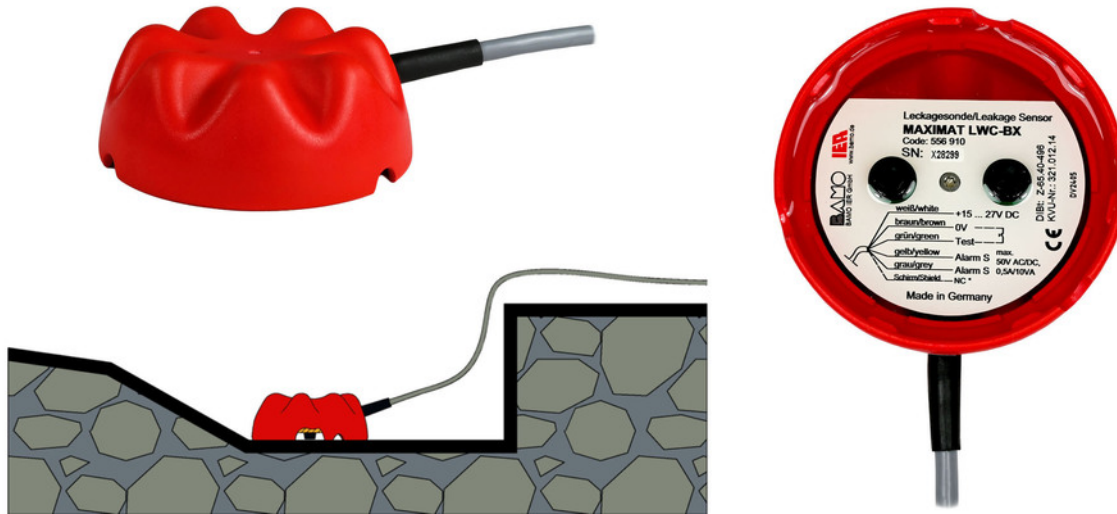


# FLOOR LEAKAGE SENSOR MAXIMAT LWC BX



## SAFETY INSTRUCTIONS

- Installation, initial start-up and maintenance may only be performed by trained personnel!
- The device may only be connected to supply power compliant to the specifications included in the technical data and on the serial plate!
- The device must be disconnected from all sources of power during installation and maintenance work!
- The device may only be operated under the conditions specified in the operating instructions!

## DESCRIPTION

Leakage monitoring in catch basin and rooms in accordance with the Water Resources Act (WHG).  
For facilities for storing, filling and transferring water-polluting, non-flammable media.

## APPLICATION AREA

The leakage probes are only suitable for conductive media whose specific reactance is  $<5k\Omega$  or whose coupling capacitance to ground  $>50pF$ .  
The media must not form insulating or conductive deposits.  
The leak probe is mounted directly on the bottom of basins or rooms.  
The probe must be mounted on the floor/trough of the monitoring space (e.g. at the lowest point) in such a way that in the event of a leak, even a small amount of the escaping medium safely covers the sensor electrodes and thus creates an electrically conductive connection.

## TECHNICAL DATA

Operating principle	Capacitive-high frequency, fail-safe
Operating/ambient temperature	-20...+60 °C
Operating pressure	Atmospheric, 0.8...1.1bar
Housing	PBT glass fiber reinforced
Protection class	IP67 (not suitable for permanent immersion)
Supply voltage	15...27V DC
Connection power	<1W
Cable	6m PVC cable, 5x 0.34mm <sup>2</sup>
Cable length measuring circuit	Max. 300m, min. wire cross-section 0.5mm <sup>2</sup>
Outputs	<b>Potential-free reed relay contact for low voltage (contact opens on alarm)</b> Max. 50V AC/DC, max. 0.5A, max. 10VA, e.g. for operation of coupling relay or PLC, signal device TC4 or supply isolator CST <b>Two-wire alarm evaluation</b> with transmitter MAXIMAT SHR C

**Important: Simultaneous operation of both outputs is not intended!**

**BAMO** INTERNATIONAL

22, Rue de la Voie des Bans · Z.I. de la gare · 95100 ARGENTEUIL  
Tel +33 (0)1 30 25 83 20 Web [www.bamo.eu](http://www.bamo.eu)  
Fax +33 (0)1 34 10 16 05 E-mail [export@bamo.fr](mailto:export@bamo.fr)

**FLOOR LEAKAGE SENSOR  
MAXIMAT LWC BX**

28-06-2024

M-556.08-EN-AH

**LEV**

**556-08/1**

## TECHNICAL DATA (continuation)

Additional function	Connection of an external test button (potential-free contact) with which the entire MAXIMAT LWC-BX electronics, the wiring and the signalling/control device can be checked.
Input	For external test button (connection to brown and green wire) Test button contact closed: Test alarm is triggered

**Note: The function check by the external test button is no substitute for the regular function checks required by the country!**

**CE mark: The device fulfills the legal requirements of applicable EU-guidelines.**

## COUNTRY-SPECIFIC CERTIFICATIONS

- GERMANY - General technical approval in accordance with the Water Resources Law (WHG)
- SWITZERLAND - Type examination certificate for water protection suitability according to the Conference of Heads of Environmental Protection Offices (KVV)
- BELGIUM - Model certificate of approval in accordance with Flemish environmental authorisation regulations (VLAREM II)

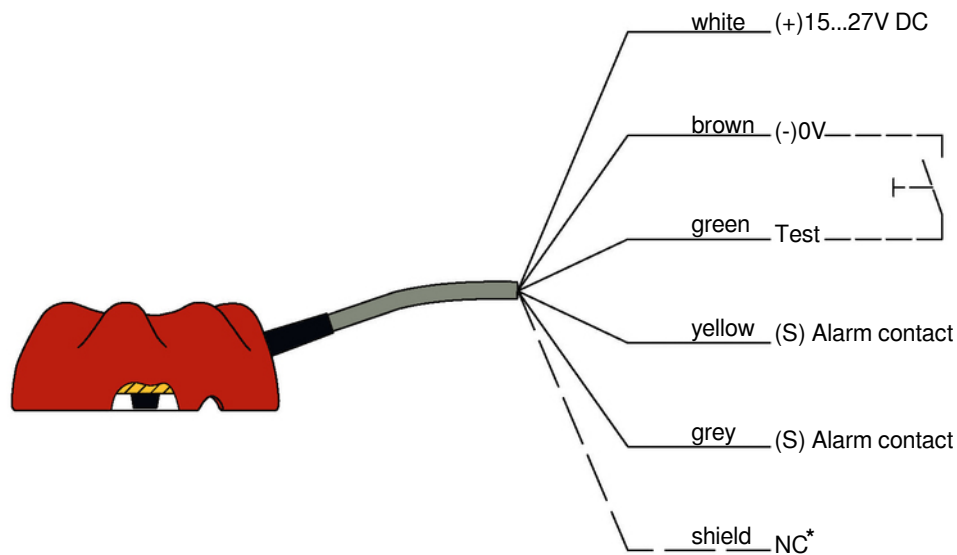
Depending on the country requirements, the corresponding documentation is enclosed.

## MAINTENANCE

When used as intended, the device is maintenance-free.

**Please note: In case of leakage, the floor leakage sensor should be removed from the medium as soon as possible.**  
It must be effectively cleaned (rinsed) and may only be reintroduced into the dry collection device after a complete function test.

## WIRE ASSIGNMENT OF THE CONNECTION CABLE



(\* ) The cable shield must only be connected to a low-interference operating ground if increased EMC interference signals are to be expected.

**BAMO** INTERNATIONAL

22, Rue de la Voie des Bans · Z.I. de la gare · 95100 ARGENTEUIL

Tel +33 (0)1 30 25 83 20 Web [www.bamo.eu](http://www.bamo.eu)

Fax +33 (0)1 34 10 16 05 E-mail [export@bamo.fr](mailto:export@bamo.fr)

**FLOOR LEAKAGE SENSOR  
MAXIMAT LWC BX**

28-06-2024

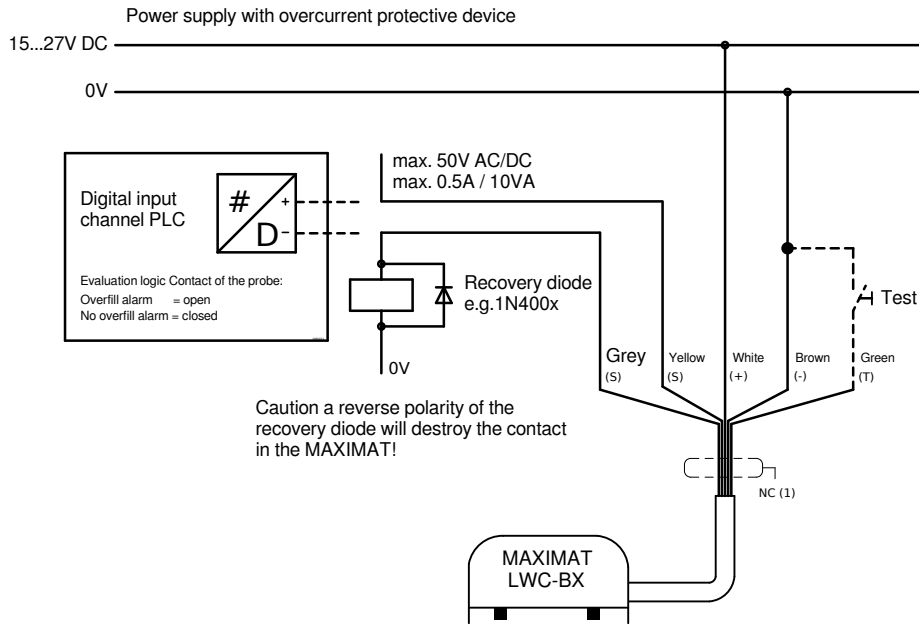
M-556.08-EN-AH

**LEV**

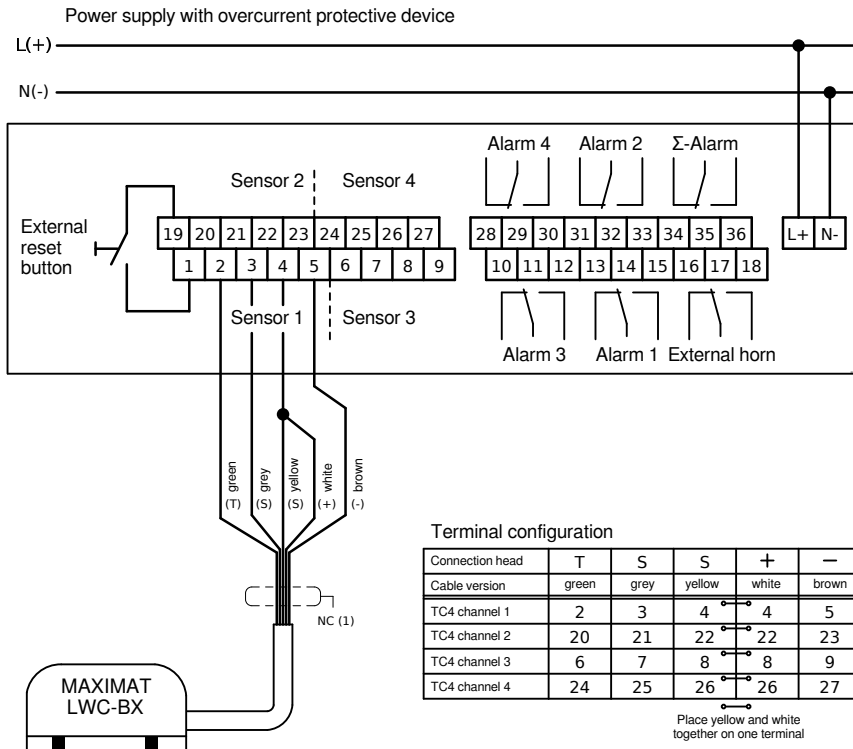
**556-08/2**

# ELECTRICAL CONNECTION

## Coupling relay or PLC



## Signalling device MAXIMAT TC4



**BAMO** INTERNATIONAL

22, Rue de la Voie des Bans · Z.I. de la gare · 95100 ARGENTEUIL  
Tel +33 (0)1 30 25 83 20 Web www.bamo.eu  
Fax +33 (0)1 34 10 16 05 E-mail export@bamo.fr

**FLOOR LEAKAGE SENSOR  
MAXIMAT LWC BX**

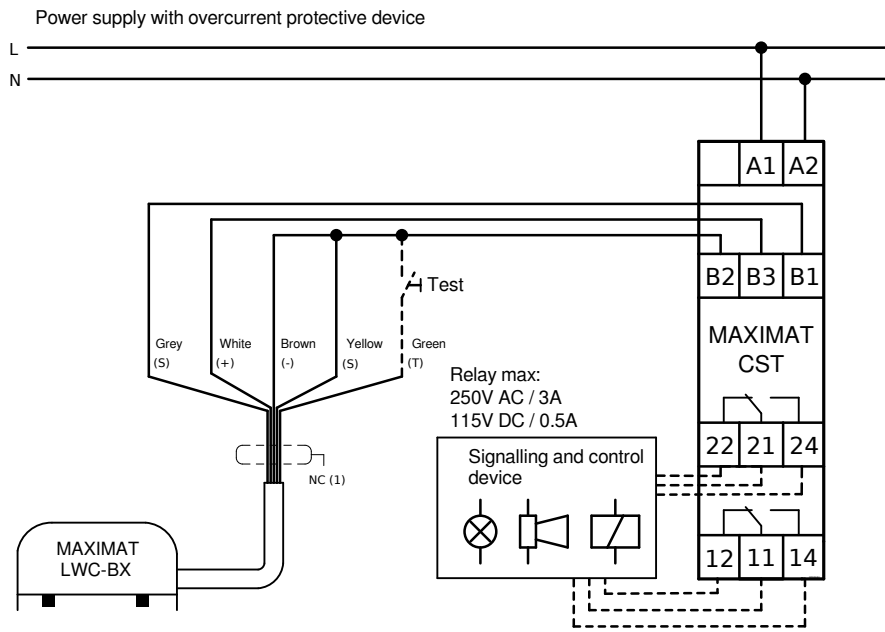
28-06-2024

M-556.08-EN-AH

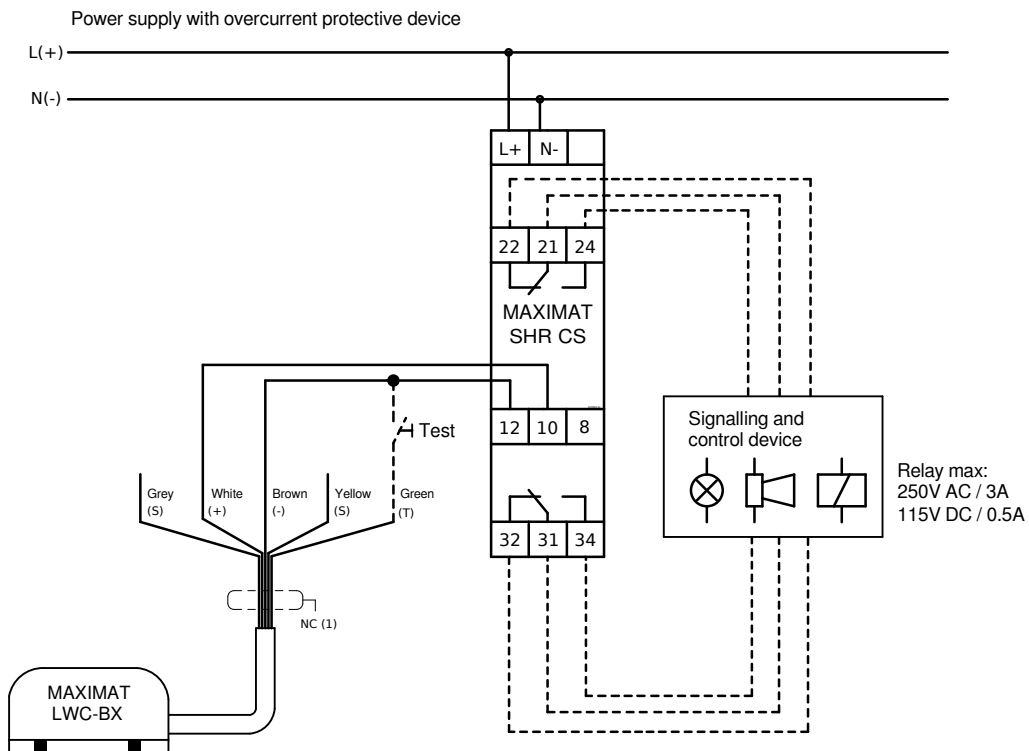
**LEV**

**556-08/3**

**Supply separator CST**



**External transducer MAXIMAT SHR CS**



(\*) The cable shield must only be connected to a low-interference operating ground if increased EMC interference signals are to be expected.