

BISTABLE SWITCH BSM 502



- Vibration proof
- Operationally reliable
- Movable
- With switch position indicator
- Universal up to pipe diameter 63mm

APPLICATION

- Limit value monitoring on containers and tanks
- For min-/max- control
- Overfill and dry run protection

DESCRIPTION

A magnetic float or counterweight actuates a microswitch in the unit without contact.
When the float or counterweight passes the bistable switch, the toggle switch changes its position and remains in this position until it is passed again. The switch works with all floats and counterweights available from us.
It is designed for mounting on string level indicators type Stringline SFA..., sight glass level indicators type GNR5 / KNR or overhang level indicators type FS4.

TECHNICAL DATA

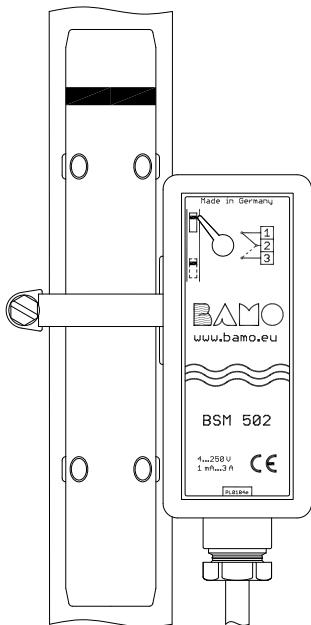
Nominal voltage	4V...250V AC, 4V...30V DC
Nominal current	1mA...3A (AC or DC)
Switch principle	Magnetically actuated microswitch with changeover contact
Minimum distance	25mm between two switching points To do this, mount the switches offset by 90° in each case
Wire cross-section	1.5mm ²
Electrical connection	3-pole valve connector according to DIN EN 175301-803-A additional protective earth connection (PE), Observe low-voltage guidelines
Ambient temperature	-20°C...+90°C
Material	Polycarbonate (PC)
Mounting	Stainless steel or plastic clamp
Protection class	IP65 according to EN 60 529

Please note!

The bistable switch is designed for 1mA to 3A application at 4 to 250V.
However, the switch may only be operated in one and the same type of circuit during its entire period of use!

For use in hazardous areas, please contact us.

CE marking: The device complies with the legal requirements of the applicable EU directives



BAMO INTERNATIONAL

22, Rue de la Voie des Bans · Z.I. de la gare · 95100 ARGENTEUIL

Tel +33 (0)1 30 25 83 20 Web www.bamo.eu

Fax +33 (0)1 34 10 16 05 E-mail export@bamo.fr

**BISTABLE SWITCH
BSM 502**

27-03-2024

D-585.06-EN-AE

LEV

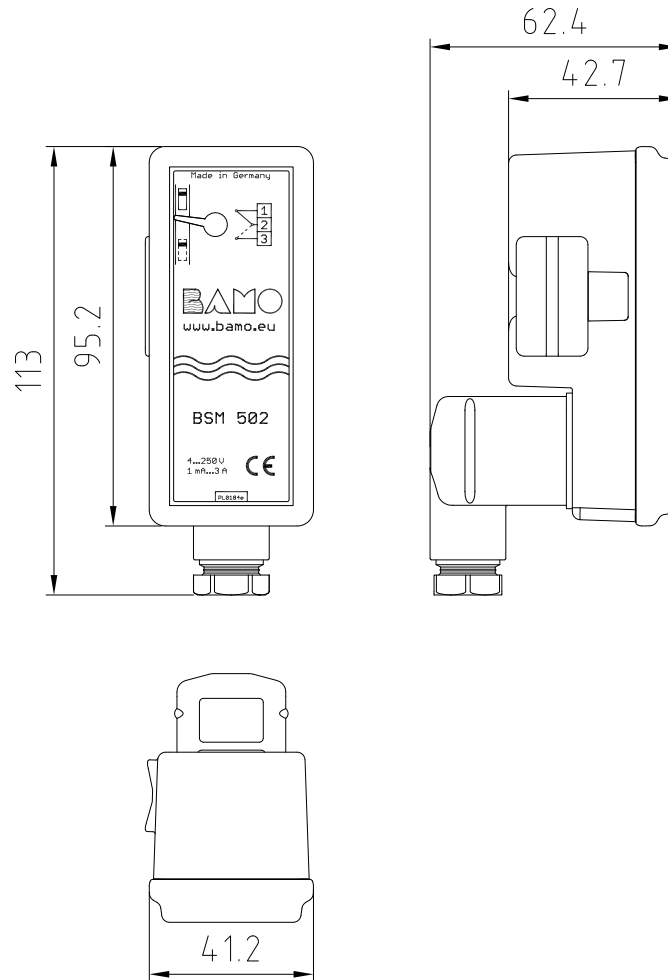
585-06/1

ORDERING INFORMATION

Code	Reference	Description
585 200	BSM 502	BSM 502 with stainless steel clamp Ø25...Ø40mm and PA6 cable tie for Ø25...100mm
585 203	BSM 502 / 63	BSM 502 with stainless steel clamp Ø50...Ø70mm

Other diameters and fastening materials available on request.

DIMENSIONS



BAMO INTERNATIONAL

22, Rue de la Voie des Bans · Z.I. de la gare · 95100 ARGENTEUIL

Tel +33 (0)1 30 25 83 20 Web www.bamo.eu

Fax +33 (0)1 34 10 16 05 E-mail export@bamo.fr

**BISTABLE SWITCH
BSM 502**

27-03-2024

D-585.06-EN-AE

LEV

585-06/2

585

585